

EF 206 EASY FIT

Self Contained Ice Machine up to 200 kg

Item #:
Project:
Quantity:



FEATURES

- Produces granular shape ice flakes, 80% hardness.
- Ice scoop holder safely positioned in ice-storage bin.
- Advanced diagnostics computerized control.
- Front panel in and out airflow (air-cooled model only) for built-in installation.
- Front access condenser air filter, removable and washable (air cooled version only).
- Easily accessible, front panel mount, ON-OFF Switch.
- Easy, front panel access to technical / service area of the machine.
- PWD - Progressive Water Discharge: pumps excess residual water up to a distance of 15 meters.



EF 206 EASY FIT
Flake ice
Residual water content 25%

CONDENSING SYSTEM

Air cooled
Water cooled

INTERNAL BIN CAPACITY

60 kg

REFRIGERANT GAS

R404A

OPERATING REQUIREMENTS

	Minimum	Maximum
Air temperature	10°C	43°C
Water temperature	5°C	38°C
Water pressure	1 bar (14 psi)	5 bar (70 psi)
Electrical voltage	-10%	+10%

VOLTAGE V/Hz/ph

230/50/1

Certifications:



IMPORTANT NOTICE:
Models and specifications are subject to change without notice. This spec sheet is meant for commercial purpose only. For technical documentation please refer to our service manuals.

Download our free App Scotsman Ice
Apple store
Google play
Windows store



www.scotsman-ice.it
www.scotsman-ice.com

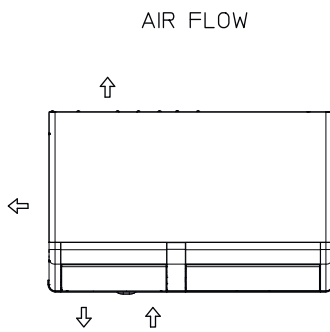
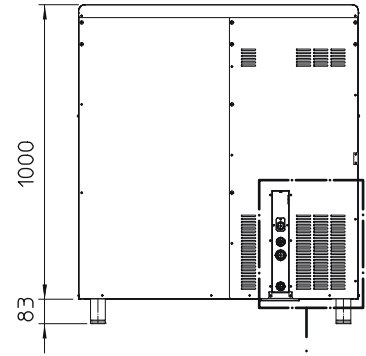
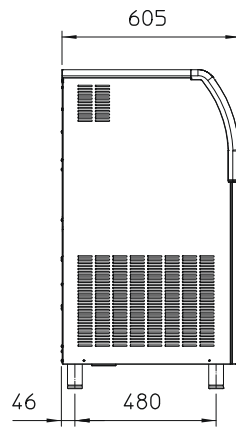
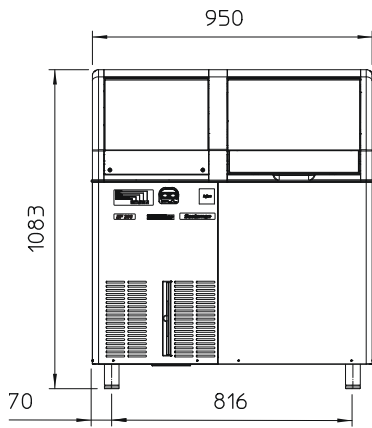
Self Contained Ice Machine up to 200 kg

EF 206 EASY FIT

Self Contained Ice Machine up to 200 kg

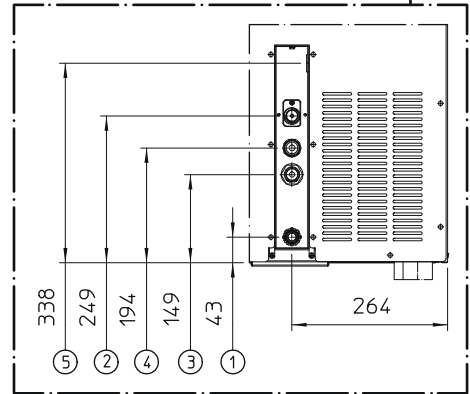
Item #:
Project:
Quantity:

Self Contained Ice Machine up to 200 kg



AIR FLOW

- UNIT OF MEASUREMENT: mm
- 3/4" GAS - WATER INLET
 - 3/4" GAS - WATER OUTLET
WATER COOLED UNIT ONLY
 - 3/4" GAS - WATER INLET
WATER COOLED UNIT ONLY
 - CORD SET



UNIT DATA			Compressor		Circuit wires		Max. fuse size		
			Version	Voltage	Btu/h	W	No.	Ømm ²	A
Size (W x D x H)	950 x 605 x 1083 mm		EF 206 AS	230/50/1	6039	1770	3	1.5	10
Net weight	79 kg		EF 206 WS	230/50/1	6039	1770	3	1.5	10
SHIPPING DATA									
Carton (W x D x H)	1030 x 680 x 1170 mm								
Weight	92 kg								
			24 h ice production kg °C Amb. / °C Water			Energy consumption*		Water usage*	Instant power
Version	Condensation	Voltage	10°C/10°C	21°C/10°C	32°C/21°C	kWh/100 kg	kWh/24h	l/h	W
EF 206 AS	Air	230/50/1	200	192	150	12.3	18.0	6.3	830
EF 206 WS	Water	230/50/1	200	197	175	8.6	15.0	85.4	630

(*) Data refer to 32°C Amb. / 21°C Water temperature conditions