

EF 156 EASY FIT

Self Contained Ice Machine up to 160 kg

Item #:
Project:
Quantity:



FEATURES

- Produces granular shape ice flakes, 80% hardness.
- Ice scoop holder safely positioned in ice-storage bin.
- Advanced diagnostics computerized control.
- Front panel in and out airflow (air-cooled model only) for built-in installation.
- Front access condenser air filter, removable and washable (air cooled version only).
- Easily accessible, front panel mount, ON-OFF Switch.
- Easy, front panel access to technical / service area of the machine.
- PWD - Progressive Water Discharge: pumps excess residual water up to a distance of 15 meters.



EF 156 EASY FIT
Flake ice
Residual water content 25%

CONDENSING SYSTEM

Air cooled
Water cooled

INTERNAL BIN CAPACITY

60 kg

REFRIGERANT GAS

R404A

OPERATING REQUIREMENTS

	Minimum	Maximum
Air temperature	10°C	43°C
Water temperature	5°C	38°C
Water pressure	1 bar (14 psi)	5 bar (70 psi)
Electrical voltage	-10%	+10%

VOLTAGE V/Hz/ph

230/50/1

Certifications:



IMPORTANT NOTICE:
Models and specifications are subject to change without notice. This spec sheet is meant for commercial purpose only. For technical documentation please refer to our service manuals.

Download our free App Scotsman Ice
Apple store
Google play
Windows store



www.scotsman-ice.it
www.scotsman-ice.com

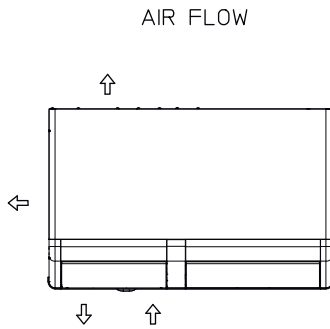
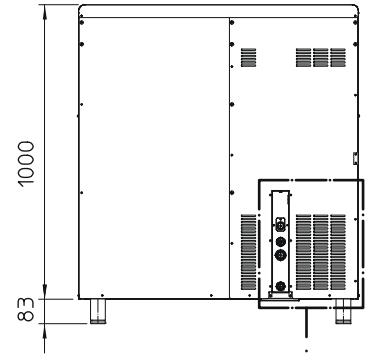
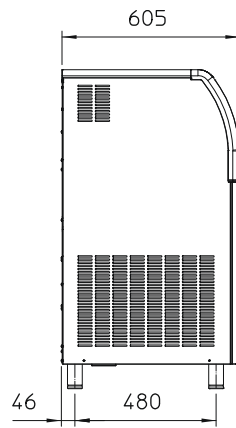
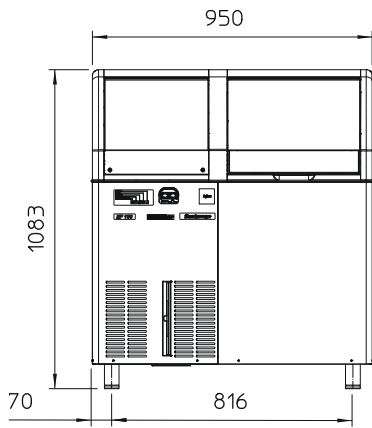
Self Contained Ice Machine up to 160 kg

EF 156 EASY FIT

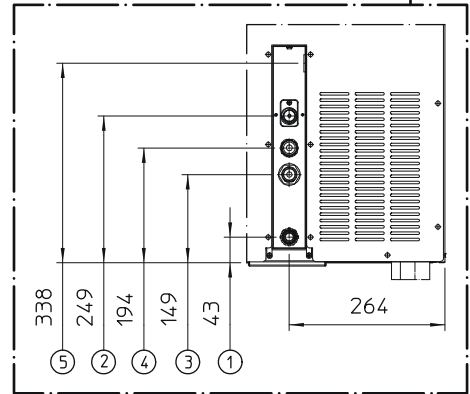
Self Contained Ice Machine up to 160 kg

Item #:
Project:
Quantity:

Self Contained Ice Machine up to 160 kg



- UNIT OF MEASUREMENT: mm
- 25/32" OD - OVERFLOW DRAIN
 - 3/4" GAS - WATER INLET
 - 3/4" GAS - WATER OUTLET
WATER COOLED UNIT ONLY
 - 3/4" GAS - WATER INLET
WATER COOLED UNIT ONLY
 - CORD SET



UNIT DATA			Compressor		Circuit wires		Max. fuse size		
			Version	Voltage	Btu/h	W	No.	Ømm ²	A
Size (W x D x H)	950 x 605 x 1083 mm		EF 156 AS	230/50/1	4845	1420	3	1.5	10
Net weight	77 kg		EF 156 WS	230/50/1	4845	1420	3	1.5	10
SHIPPING DATA									
Carton (W x D x H)	1030 x 680 x 1170 mm								
Weight	90 kg								
			24 h ice production kg			Energy consumption*		Water usage*	Instant power
			°C Amb. / °C Water						
Version	Condensation	Voltage	10°C/10°C	21°C/10°C	32°C/21°C	kWh/100 kg	kWh/24h	l/h	W
EF 156 AS	Air	230/50/1	150	148	120	11.5	15.0	5.0	650
EF 156 WS	Water	230/50/1	160	156	140	9.0	13.0	5.4	510

(*) Data refer to 32°C Amb. / 21°C Water temperature conditions