



# FRONTIER™ 5706P

Multi Centrifuges



## ***Reliable and Compact Multi-Function Low-Speed Centrifuge for General Purpose and Diagnostic Applications***

Frontier 5706P Multi Centrifuge is a small benchtop multi-function centrifuge ideal for a multitude of separation applications. With versatile standard rotor options, the FC5706P seamlessly processes both round and conical bottom tubes, including common blood and urine tubes. Enhanced by user-friendly design, this centrifuge features an intuitive interface that streamlines operation and maximizes efficiency, all while conserving valuable bench space.

### ***Features:***

- Designed for ease of operation, Frontier 5706 Multi Centrifuge features convenient control on an intuitive interface, which allows for responsive operation – even when wearing gloves.
- Enhanced adaptability to satisfy different customers' requirements in diagnostic and general laboratory applications. The FC5706P can hold up a variety of different tubes, starting from 50 ml to smaller volume 1.5 ml tubes. The Frontier 5706P offers 5 rotor options including a fixed angle rotor suitable for 18×1.5/2.0 ml tubes and a swing-out rotor that can hold 4×10 ml blood and urine tubes, boosting its versatility for various laboratory needs.
- Enclosing all its functionalities within a small footprint, the FC5706P saves valuable space on the lab bench.

# FRONTIER™ 5706P Multi Centrifuges

## Designed for a User-Friendly Experience

- Easy-to-use touch-wheel interface for parameter adjustments
- Convenient interface shows both set and actual parameters
- One-touch toggling between RPM/RCF and Acc/Dec
- Double-line LCD display with light blue back light
- Audible signal at the end of each run with a melody
- 10 acceleration/deceleration settings
- 99 memory sets to quickly store and recall commonly used parameters



## Safety Features Enclosed Within Small Footprint

- Microprocessors control to help prevent accidents and protect both the user and the equipment
- Rotor imbalance sensor system stops the unit when it detects an imbalanced load
- Sturdy mechanical lid with locking system
- LED status to indicate the operational condition of the centrifuge like run completed (green), standby (yellow) or centrifugation (red)



## Flexible Rotor Selections and Kits to Cover a Wide Range of General Laboratory and Diagnostic Applications

- Maintenance-free DC motor produces a maximum G-force of  $4427 \times g$
- Speeds up to 6000 rpm and quick spin for short runs
- Additional fixed angle rotor (18 × 1.5/2.0 ml microtubes) and swing out rotor (4 × 10 ml blood tubes) for enhanced flexibility




# FRONTIER™ 5706P Multi Centrifuges

## Specifications


Model	FC5706P	
Order No.	31012112	
Speed Range	200 – 6000 rpm; 10 rpm/set	
Maximum RCF	4427×g; 10 g/set	
Maximum Capacity (Rotor)	Angle Rotor: 6×50 ml	
Temperature range	Air cooled	
Refrigerant	N/A	
Running Time	Quick Spin, 10 sec to 99 hr 59 min, or continuous	
Noise level (depending on the rotor)	≤ 56 ±2 dB(A)	
Acc/Dec Levels	10/10	
Allowable Density at Maximum Speed	1.2 g/ml	
Allowable Kinetic Energy	2427 Nm	
Rated voltage	100-240 V/50-60 Hz	
Voltage Fluctuation	± 10 %	
Rated current	2.5-1.0 A	
Power continues	70 W	
Dimensions (W×D×H)	323×427×271 mm	
Net Weight (without rotor)	14.2 kg	
Shipping Dimensions (W×D×H)	370×540×365 mm	
Shipping Weight (without rotor)	17.6 kg	
Ambient conditions (EN/IEC 61010-1)	Environment	For indoor use only
	Altitude	Use up to an altitude of 2000 m
	Ambient temperature	5 °C up to 35 °C
	Max. relative humidity	Max. relative humidity 80 % for temperatures up to 31 °C Decreasing linearly to 50 % relative humidity up to 35 °C.
EMC	EN/IEC 61326-1 Class B emissions, Basic immunity FCC Class B emissions	
Not suitable for use in hazardous environments.		

## Accessories

	Order No.	30130877				
	Description	Rotor Angle 12×15 ml RB/FA				
	Included in Kit	31012113				
	Max. Speed	6000 rpm				
	Max. RCF	4427×g				
Accessories						
Order No.	Description	Vol./Tube	Diameter	Tube Type	No. of Tubes/ Rotor	
Without Adapter	Rotor Angle 12×15 ml RB/FA	15 ml	17 mm	Round Bottom/Conical Bottom	12	
30211180	Adapter 1×6-10 ml D16 mm Vac/Sar, 2 pk	6-10 ml	16 mm	Vacutainer®/Sarsted	12	
30130889	Adapter 1×4-7 ml D13 mm Vac/Sar, 2 pk	4-7 ml	13 mm	Round Bottom/Vacutainer®/Sarstedt	12	
30130890	Adapter 1×1.8-5 ml D13 mm Vac/Sar, 2 pk	1.8-5 ml	13 mm	Round Bottom/Vacutainer®/Sarstedt	12	
30130886	Adapter 1×1.5/2.0 ml D11mm, 6 pk	1.5/2.0 ml	11 mm	Microtube	12	

# FRONTIER™ 5706P Multi Centrifuges

## Accessories

	Order No.	30130878
	Description	Rotor Angle 6×50 ml RB/FA
	Included in Kit	31012115
	Max. Speed	6000 rpm
	Max. RCF	4427×g


### Accessories

Order No.	Description	Vol./Tube	Diameter	Tube Type	No.of Tubes/ Rotor
Without Adapter	Rotor Angle 6×50 ml RB/FA	50 ml	29 mm	Round Bottom/Conical Bottom	6
30130891	Adapter 1×30 ml D26 mm, 2 pk	30 ml	26 mm	Round Bottom	6
30130892	Adapter 1×16 ml D18 mm, 2 pk	16 ml	18 mm	Round Bottom	6
30130893	Adapter 1×15 ml D17 mm, 2 pk	15 ml	17 mm	Round Bottom	6
30130894	Adapter 1×15 ml D17 mm RB/FA, 2 pk	15 ml	17 mm	Round Bottom/Conical Bottom	6

	Order No.	30130880
	Description	Rotor Swing out 6×5 ml RB
	Max. Speed	4000 rpm
	Max. RCF	1878×g

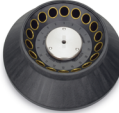
### Accessories

Order No.	Description	Vol./Tube	Diameter	Tube Type	No.of Tubes/ Rotor
30130895	Buckets For 30130880, 2 pk*	5 ml	13 mm	Round Bottom/Vacutainer®/Sarstedt	6

	Order No.	31013397
	Description	Rotor Swing Out 4×10 ml
	Included in Kit	31012114
	Max. Speed	4200 rpm
	Max. RCF	2406×g

### Accessories

Order No.	Description	Vol./Tube	Diameter	Tube Type	No.of Tubes/ Rotor
31021231	Rack 1×1.8-10 ml D16 mm Vac/Sar, 4 pk**	1.8-10 ml	16 mm	Round Bottom/ Vacutainer®/ Sarstedt	4

	Order No.	83041499
	Description	Rotor Angle 18×1.5/2.0 ml
	Max. Speed	6000 rpm
	Max. RCF	2938×g

### Accessories

Order No.	Description	Vol./Tube	Diameter	Tube type	No.of tubes/ rotor
Without Adapter	Rotor Angle 18×1.5/2.0 ml	1.5/2.0 ml	11 mm	Microtube	18
30130884	Adapter 1×0.2/0.4 ml D6 mm, 6 pk	0.2/0.4 ml	6 mm	Microtube	18
30130885	Adapter 1×0.5 ml D8 mm, 6 pk	0.5 ml	8 mm	Microtube	18

\*Buckets included

\*\*Racks included

#### Shortcut list:

Vac – Vacutainer® Sar – Sarstedt FA – Conical bottom / Falcon® FB – Flat bottom RB – Round bottom

# FRONTIER™ 5706P Multi Centrifuges

## Other Standard Features and Equipment

Microprocessor control, Imbalance switch-off, Audible signal at the end of each run with melody options, Emergency release, 99 memory sets, Ten acceleration and ten deceleration rates, Pre-selection of running time from 10 sec to 99 hr 59 min or continuous, Quick spin for short runs.

## Compliance

See Declaration of Conformity available CE Declarations | OHAUS

## \*Intended Use

This centrifuge and its accessories are an in vitro diagnostic medical device within the meaning of the In Vitro Diagnostic Medical Devices Regulation (EU) 2017/746. This centrifuge is intended for the separation of mixtures of substances of different densities, in particular for the preparation and processing of samples from the human body in the context of an in vitro diagnostic application, in order to enable the intended use of the in vitro diagnostic medical device.

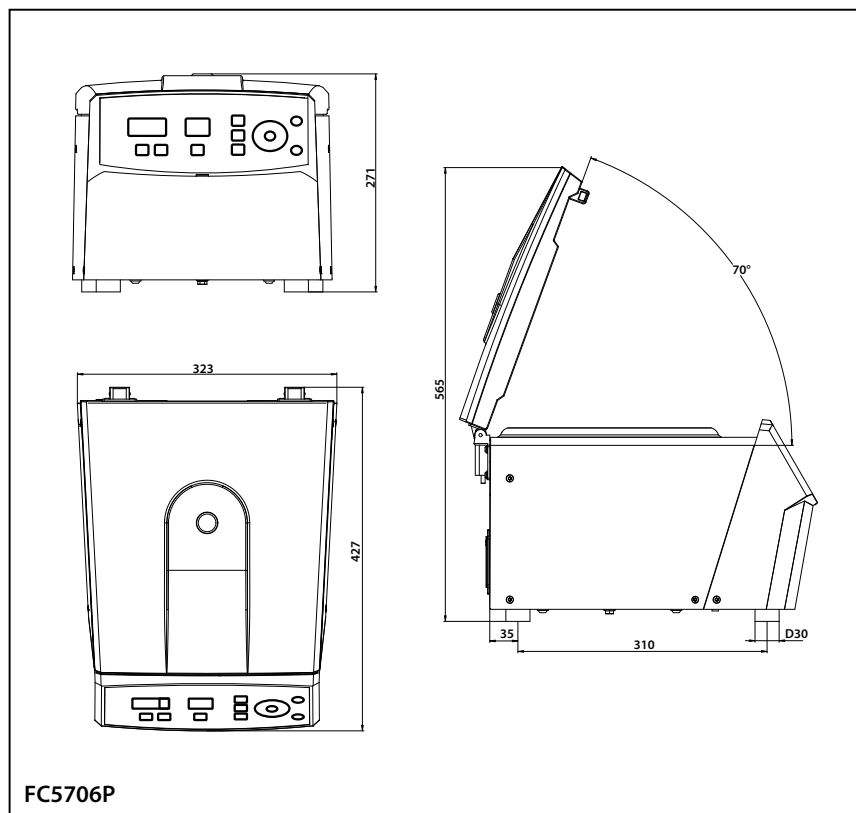
These centrifuges are intended exclusively for use in closed rooms under supervision and for operation by trained specialist personnel.

Only the rotors and cups and other accessories specified in the instructions for use may be used. Any other use or use beyond this is considered improper use. We are not liable for any resulting damage. The contents of the operating instructions must be observed.

## Contraindication

This centrifuge and its accessories are intended exclusively for the above-mentioned purpose and must not be used to determine any measured values. After centrifugation, no components of human origin may be implanted or administered back into the body.

## Outline Dimensions



OHAUS Asia/Pacific  
Headquarters  
e-mail: [APmarketing@ohaus.com](mailto:APmarketing@ohaus.com)  
Tel: +86 21 64855408

With offices throughout  
Europe, Asia, and  
Latin America

ISO 9001:2015

Registered Quality  
Management System



80777033\_B 20250417 © Copyright OHAUS Corporation



Click or scan  
for the web