



FRONTIER™ 5513L

High-Speed Micro Centrifuges



Compact Micro Centrifuge with Modern Touch-Wheel Interface for Ideal Routine Centrifugation of Microtubes

Frontier 5513L is a space-saving micro centrifuge capable of spinning 18 x 1.5/2.0 ml microtubes and generating forces up to 15995 x g for basic molecular biology applications like DNA/RNA purification and extraction. Engineered with convenient operation in mind, the FC5513L features a uniquely designed splash-proof front panel with touch-wheel control for quick and easy adjustment.

Features:

- Frontier 5513L includes an ergonomically designed 18 x 1.5/2.0 ml microtube rotor that quickly and easily closes with 1/4 of a turn. Adapters allow for spinning of 0.5 ml or 0.2/0.4 ml microtubes.
- Designed for ease of operation, the FC5513L features convenient control on a protective splash-proof interface, which allows for responsive operation – even when wearing gloves.
- With a small footprint, Frontier 5513L centrifuge is compact enough to save valuable space on the bench, yet large enough to accommodate sufficient number of microtubes ideal for DNA applications.

FRONTIER™ 5513L High-Speed Micro Centrifuges

Sleekly designed interface enables smooth operation for a great user experience

- Easy-to-Use touch-wheel interface for parameter adjustments
- Convenient interface shows both set and actual parameters
- One-touch toggling between RPM/RCF, Acc/Dec
- Crisp display on a double-line LCD display with light blue backlight



Solid engineering to ensure functionality and reliability

- True splash-proof panel protects the centrifuge from accidental sample spilling
- Maintenance-free induction motor produces maximum G-force of 15994 x g and 14000 rpm
- 10 acceleration/deceleration settings
- 99 memory sets to quickly store and recall commonly used parameters



Safety features that prevent injury

- Rotor imbalance sensing systems stops the unit when it detects an imbalanced load
- Mechanical lid-locking system prevents centrifuge from opening during operation




FRONTIER™ 5513L High-Speed Micro Centrifuges

Specifications

Model		FC5513L	
Order No.	230V: 83041580	120V: 83041581	
Speed Range	200 rpm – 14000 rpm; 10 rpm / increments		
Maximum RCF	15994 x g; 10 x g / increments		
Maximum Capacity (Rotor)	Angle Rotor: 18 x 1.5/2.0 ml		
Temperature Range	Air cooled		
Refrigerant	N/A		
Running Time	Quick Spin, 10 sec to 99 hr 59 min, or continuous		
Noise Level	≤ 57 + 2 dB(A)		
Acc/Dec Levels	10/10		
Allowable Density at Maximum Speed	1.2 g/ml		
Allowable Kinetic Energy	1429 Nm		
AC Power	230 V/50 - 60 Hz	120 V/50 - 60 Hz	
Voltage Fluctuation	± 10 %		
Current Consumption	0.8 A	1.7 A	
Power Consumption	120 W	130 W	
Dimensions (W x D x H)	277 x 351 x 231 mm		
Net Weight (without rotor)	14 kg		
Shipping Dimensions (W x D x H)	360 x 450 x 350 mm		
Shipping Weight (without rotor)	16 kg		
Ambient conditions (EN/IEC 61010-1)	Environment	For indoor use only	
	Altitude	Use up to an altitude of 2000 m	
	Ambient temperature	5 °C up to 35 °C	
	Max. relative humidity	Max. relative humidity 80 % for temperatures up to 31°C, Decreasing linearly to 50 % relative humidity up to 35°C.	
EMC	EN/IEC 61326-1 Class B emissions, Basic immunity FCC Class B emissions		
Not suitable for use in hazardous environments.			

Accessories

	Order No.	83041006		
	Description	Rotor Angle 18 x 1.5/2.0 ml		
	Compatible with	FC5513L		
	Max. Speed	14000 rpm		
	Max. RCF	15994 x g		

Accessories

Order No.	Description	Vol./Tube	Diameter	Tube Type	No. of Tubes/Rotor
	Rotor Angle 18 x 1.5/2.0 ml	1.5/2.0 ml	11 mm	Microtube	18
30130885	Adapter 1 x 0.5 ml D8 mm, 6 pk	0.5 ml	8 mm	Microtube	18
30130884	Adapter 1 x 0.2/0.4 ml D6 mm, 6 pk	0.2/0.4 ml	6 mm	Microtube	18

Shortcut list:

ID – auto rotor identification
FA – Conical bottom / Falcon®

Hi – version with higher speed
FB – Flat bottom

Vac – Vacutainer®
RB – Round bottom

Sar – Sarstedt
Rim – Skirted conical bottom

FRONTIER™ 5513L High-Speed Micro Centrifuges

Other Standard Features and Equipment

Microprocessor control, Imbalance switch-off, Audible signal at the end of each run with melody options, Emergency release, 99 memory sets, Ten acceleration and ten deceleration rates, Pre-selection of running time from 10 sec to 99 hr 59 min or continuous, Quick spin for short runs.

Compliance

See Declaration of Conformity available CE Declarations | OHAUS

*Intended Use

This centrifuge and its accessories are an in vitro diagnostic medical device within the meaning of the In Vitro Diagnostic Medical Devices Regulation (EU) 2017/746. This centrifuge is intended for the separation of mixtures of substances of different densities, in particular for the preparation and processing of samples from the human body in the context of an in vitro diagnostic application, in order to enable the intended use of the in vitro diagnostic medical device.

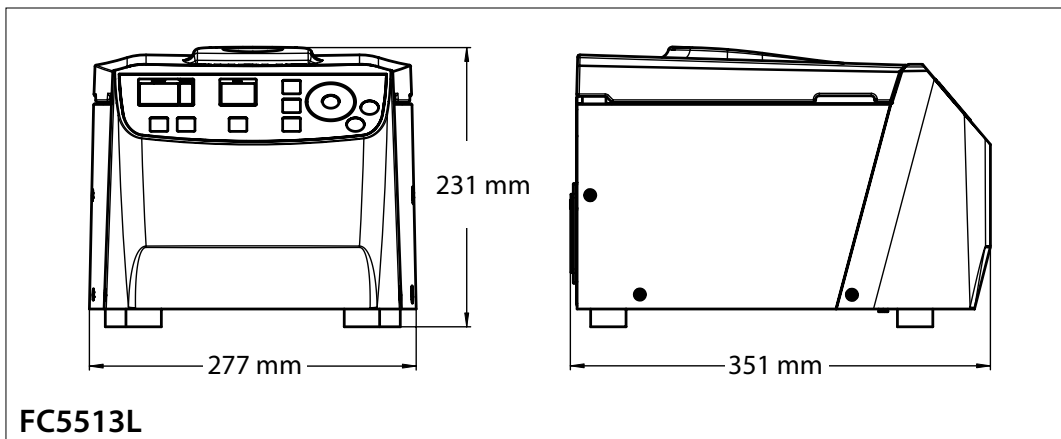
These centrifuges are intended exclusively for use in closed rooms under supervision and for operation by trained specialist personnel!

Only the rotors and cups and other accessories specified in the instructions for use may be used. Any other use or use beyond this is considered improper use. We are not liable for any resulting damage. The contents of the operating instructions must be observed.

Contraindication

This centrifuge and its accessories are intended exclusively for the above-mentioned purpose and must not be used to determine any measured values. After centrifugation, no components of human origin may be implanted or administered back into the body.

Outline Dimensions



Click or scan
for the web



80777028_A 20250522 © Copyright OHAUS Corporation

OHAUS Europe GmbH

e-mail: ssc@ohaus.com

Tel: 0041 22 567 53 19

e-mail: tsc@ohaus.com

Tel: 0041 22 567 53 20

www.ohaus.com

*The management system
governing the manufacture
of this product is
ISO 9001:2015 certified.*

